

GRILLHOUSES



 www.tene.ee

 Tene Kaubandus aiamaajad



 tene_gardenhouses

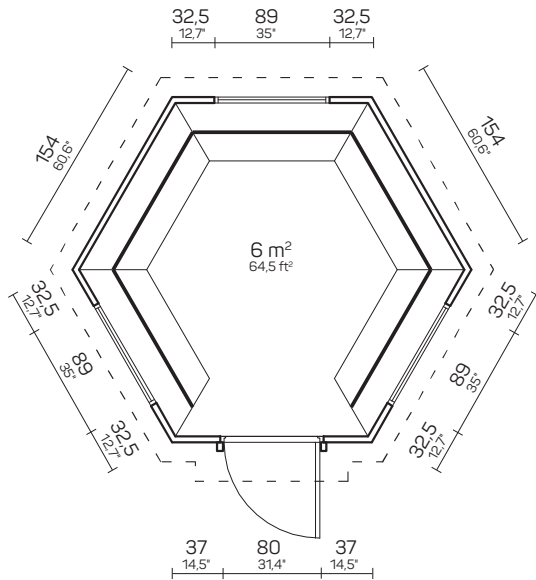


TENE

LEO

Art 115 001

Double Glazed
ISO-Verglasung
Lämpölasit
Isolerglas



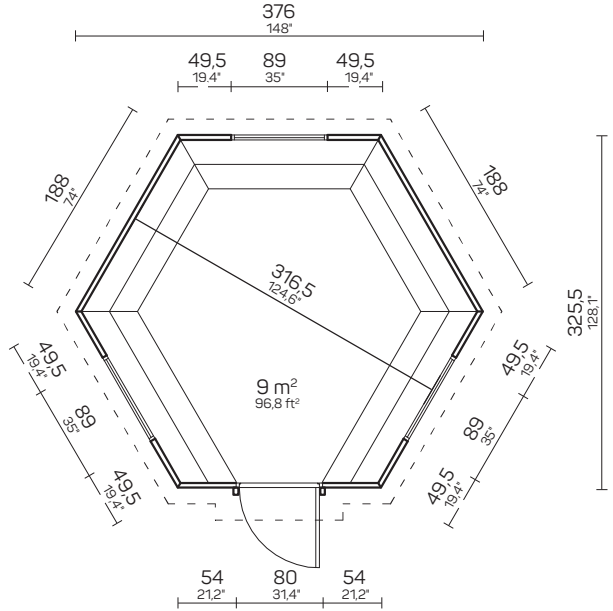
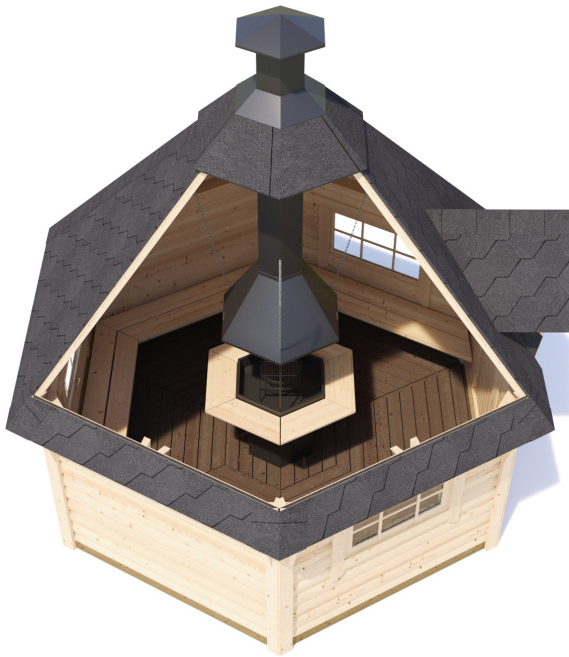
266,5×308 cm	101,3×299 cm	44 mm	135 cm	265 cm	6 m ² 64,5 ft ²	28 cm	12 m ³ 423,7 ft ³	45°
104,9×121,2"	127,9×117,7"	1 3/4"	53,1"	104,3"		11"		45°
18+28 mm	800×1500 mm	890×500 mm	890×500 mm			240×120×210 cm	1000 kg	
0,7+1,1"	31,4×59"	35×19,6"	35×19,6"			94,4×47,2×82,6"	2204 lb	

Slatted floor elements

NILS

Art 115 002

Double Glazed
ISO-Verglasung
Lämpölasit
Isolerglas

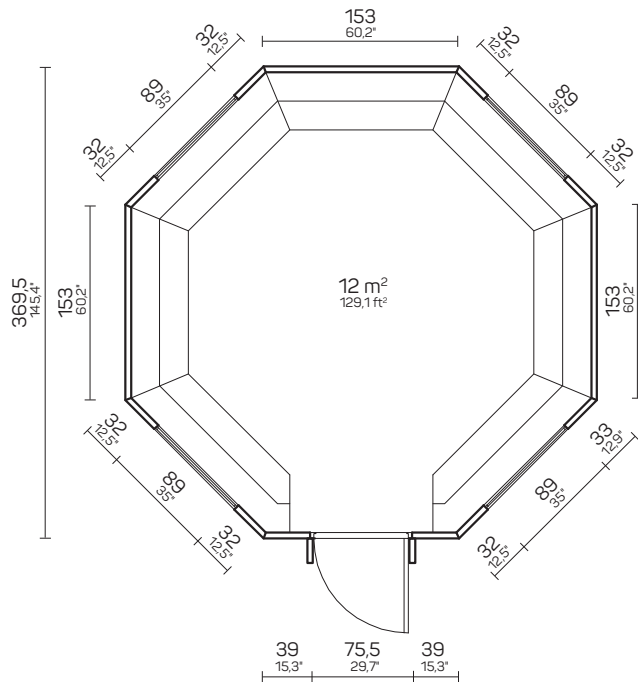


325,5×376 cm 128,1×148"	316,5×367 cm 124,6×144,4"	44 mm 1 3/4"	135 cm 53,1"	310 cm 122"	9 m ² 96,8 ft ²	28 cm 11"	18 m ³ 635,6 ft ³	45° 45°
18+28 mm 0,7+1,1" Slatted floor elements	800×1500 mm 31,4×59"	890×500 mm 35×19,6"	890×500 mm 35×19,6"	240×120×260 cm 94,4×47,2×102,3"	1200 kg 2645 lb			

ROSCO

Art 115 003

Double Glazed
ISO-Verglasung
Lämpölasit
Isolerglas



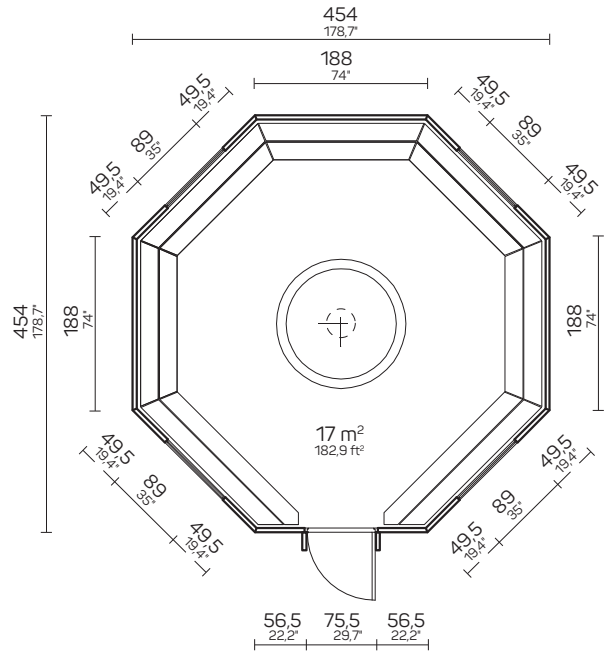
369,5×399 cm 145,4×157"	360,5×390 cm 141,9×153,5"	44 mm 1 3/4"	135 cm 53,1"	275 cm 108,2"	12 m ² 96,8 ft ²	28 cm 11"	24 m ³ 847,5 ft ³	38° 38°
18+28 mm 0,7+1,1"	800×1500 mm 31,4×59"	890×500 mm 35×19,6"	890×500 mm 35×19,6"		240×140×270 cm 94,4×55,1×106,2"	1400 kg 3086 lb		

Slatted floor elements

RUBEN

Art 115 004

Double Glazed
ISO-Verglasung
Lämpölasit
Isolerglas

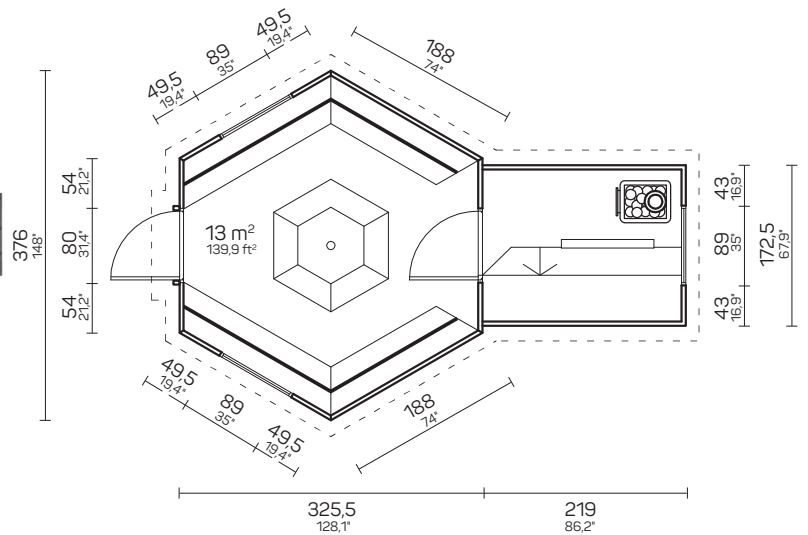


454×490,5 cm 178,7×193,1"	445×481,5 cm 175,1×189,5"	44 mm 1 3/4"	135 cm 53,1"	310 cm 122"	17 m ² 182,9 ft ²	28 cm 11"	35 m ³ 1236 ft ³	38° 38°	
18+28 mm 0,7+1,1" Slatted floor elements	800×1500 mm 31,4×59"	890×500 mm 35×19,6"	890×500 mm 35×19,6"				320×120×250 cm 125,9×47,2×98,4"	1500 kg 3306 lb	

FILIP

Art 115 005

Double Glazed
ISO-Verglasung
Lämpölasit
Isoleriglas

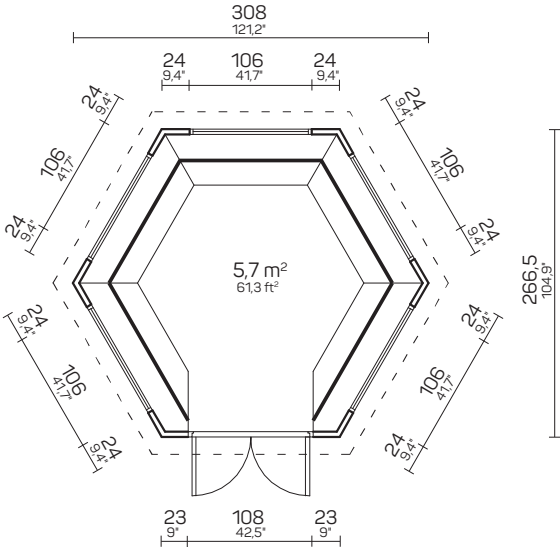
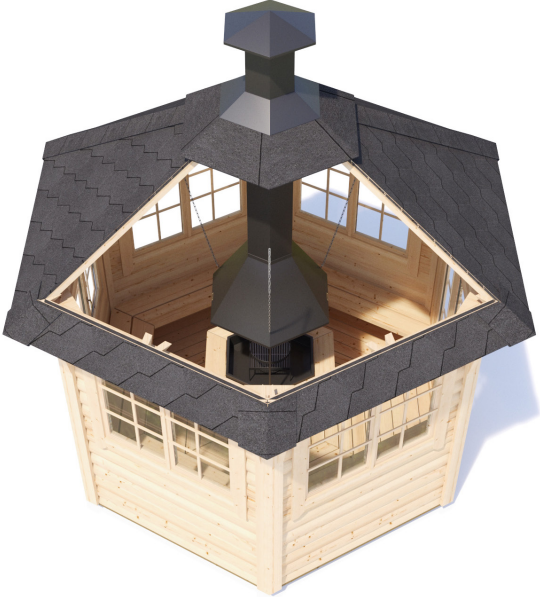


376×544,5 cm 148×214,3"	367×535,5 cm 144,4×210,8"	44 mm 1 3/4"	135 cm 53,1"	310 cm 122"	9+4 m ² 96,8+43 ft ²	30 cm 11,8"	24 m ³ 847,5 ft ³	45°	45°
18+18 mm 0,7+0,7" Full floor	800×1500 mm 31,4×59"	890×500 mm 3'×19,6"	890×500 mm 35'×19,6"				240×120×250 cm 2x 94,4×47,2×98,4' 2x	1000 kg 2204 lb	

NORA

Art 116 001

Double Glazed
ISO-Verglasung
Lämpölasit
Isolerglas



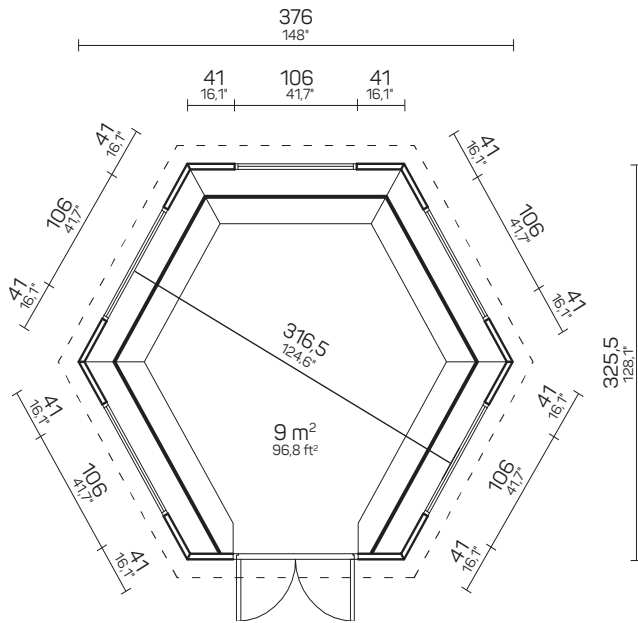
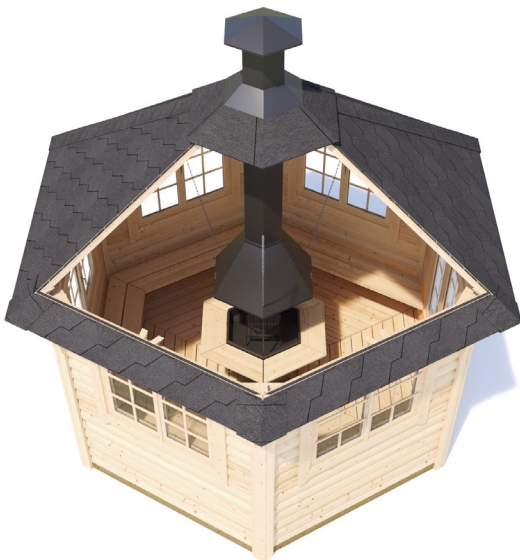
266,5×308 cm 104,9×121,2"	257,5×299 cm 101,3×117,7"	44 mm 1 3/4"	200 cm 78,7"	310 cm 122"	6 m ² 64,5 ft ²	35 cm 13,7"	15 m ³ 529,7 ft ³	38°
18+28 mm 0,7+1,1"	1080×1700 mm 42,5×66,9"	890×1060 mm 35×41,7"	890×1060 mm 35×41,7"	240×120×240 cm 94,4×47,2×94,4"	1000 kg 2204 lb			

Slatted floor elements

ALBA

Art 116 002

Double Glazed
ISO-Verglasung
Lämpölasit
Isolerglas

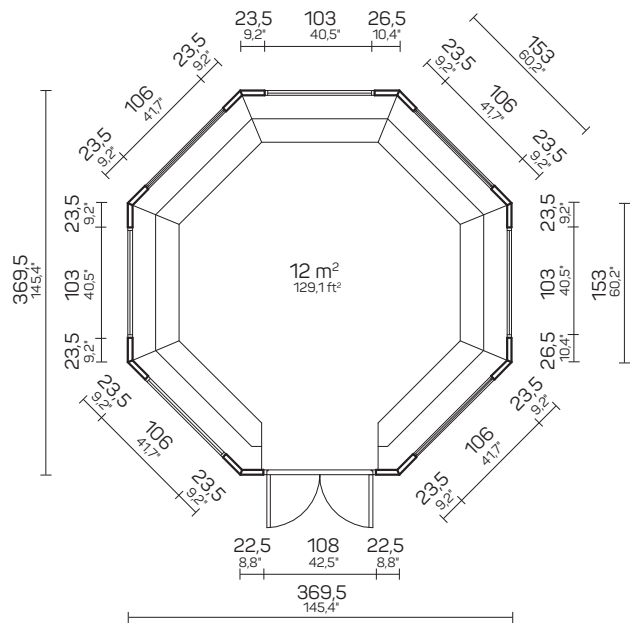


325,5×376 cm 128,1×148"	316,5×367 cm 124,6×144,4"	44 mm 1 3/4"	200 cm 78,7"	320 cm 125,9"	9 m ² 96,8 ft ²	35 cm 13,7"	27 m ³ 953,4 ft ³	38° 38°
18+28 mm 0,7+1,1" Slatted floor elements	1080×1700 mm 42,5×66,9"	890×1060 mm 35×41,7"	890×1060 mm 35×41,7"	890×1060 mm 35×41,7"	240×120×240 cm 94,4×47,2×94,4"	1200 kg 2645 lb		

HILDA

Art 116 003

Double Glazed
ISO-Verglasung
Lämpölasit
Isolerglas

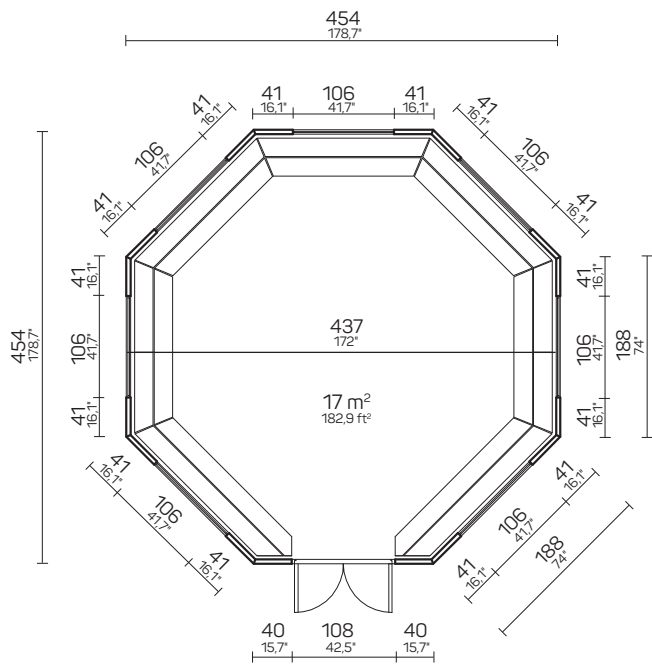


369,5×399 cm 145,4×157"	360,5×390 cm 141,9×153,5"	44 mm 1 3/4"	200 cm 78,7"	340 cm 133,8"	12 m ² 129,1 ft ²	35 cm 13,7"	30 m ³ 1059,4 ft ³	38°
18+28 mm 0,7+1,1" Slatted floor elements	1x 1080×1700 mm 42,5×66,9"	1x 890×1060 mm 35×41,7"	7x 890×1060 mm 35×41,7"	240×140×270 cm 94,4×55,1×106,2"				1400 kg 3086 lb

DANA

Art 116 004

Double Glazed
ISO-Verglasung
Lämpölasit
Isolerlas

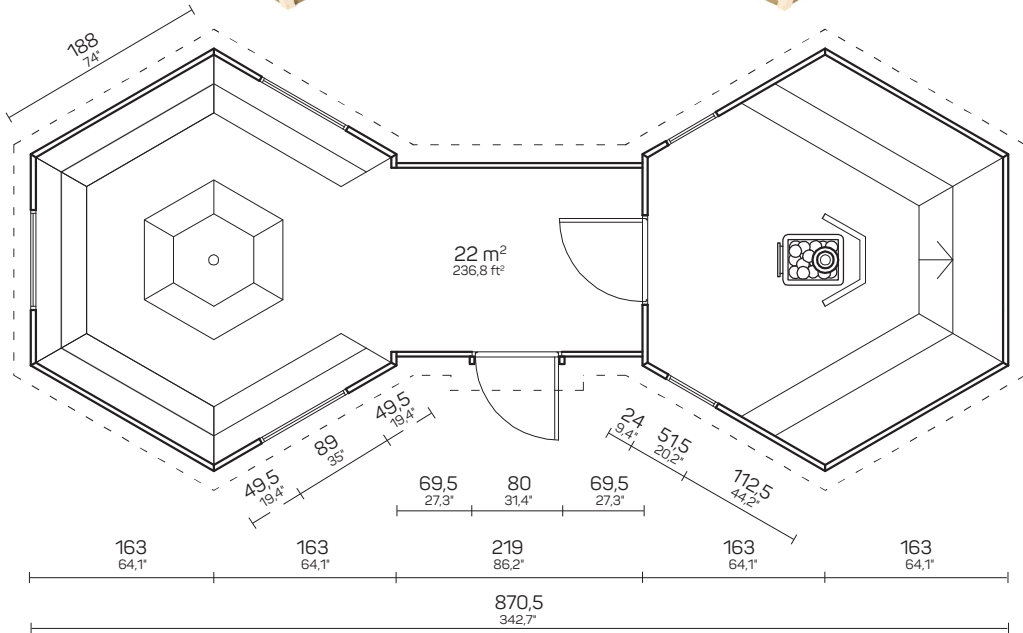


454×491,5 cm 178,7×193,5"	445×482,5 cm 175,1×189,9"	44 mm 1 3/4"	200 cm 78,7"	400 cm 157,4"	17 m ² 182,9 ft ²	35 cm 13,7"	43 m ³ 1518,5 ft ³	38° 38°
18+28 mm 0,7+1,1" Slatted floor elements	1080×1700 mm 42,5×66,9"	890×1060 mm 35×41,7"	890×1060 mm 35×41,7"		320×120×250 cm 125,9×47,2×98,4"	1500 kg 3306 lb		

MAGNUS

Art 115 006

Double Glazed
ISO-Verglasung
Lämpölasit
Isolerglas



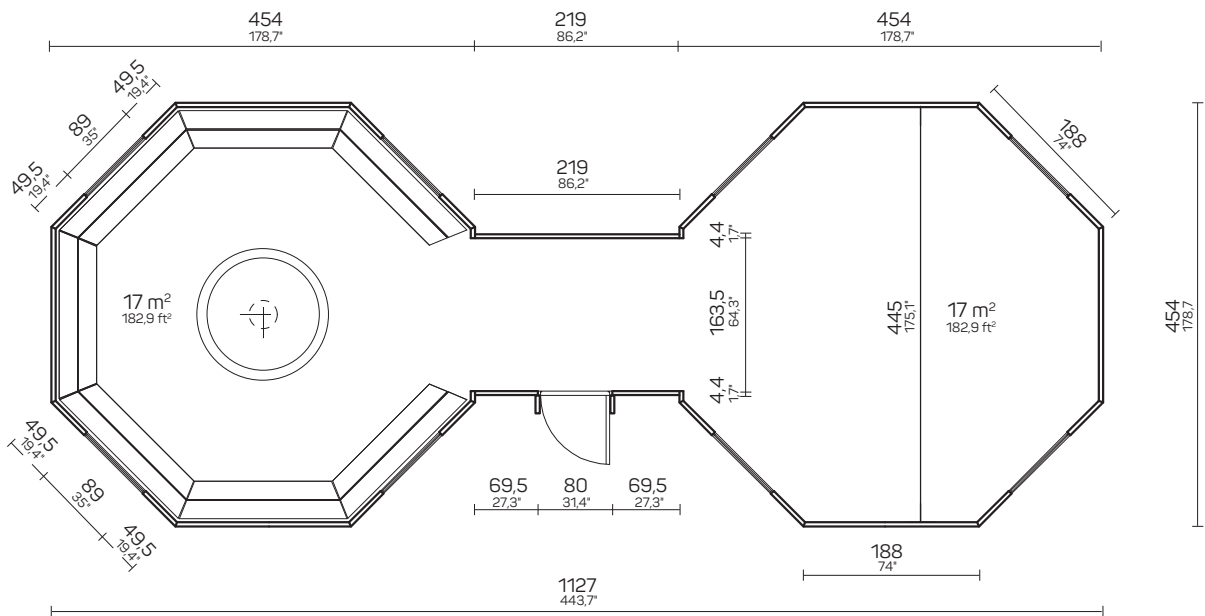
870,5×376 cm 342,1×148"	861,5×367 cm 339,1×144,4"	44 mm 1 3/4"	135 cm 53,1"	310 cm 122"	22 m ² 236,8 ft ²	30 cm 11,8"	43 m ³ 1518,5 ft ³	45°
18+28+18 mm 0,7+1,1+0,7"	800×1500 mm 31,4×59"	890×500 mm 35×19,6"	890×500 mm 35×19,6"				240×120×260 cm 2x 94,4×47,2×102,3" 2x	1200 kg 2204 lb

28 mm slatted floor elements,
18 mm full floor in sauna

MELISSA

Art 115 007

Double Glazed
ISO-Verglasung
Lämpölasit
Isolerlas



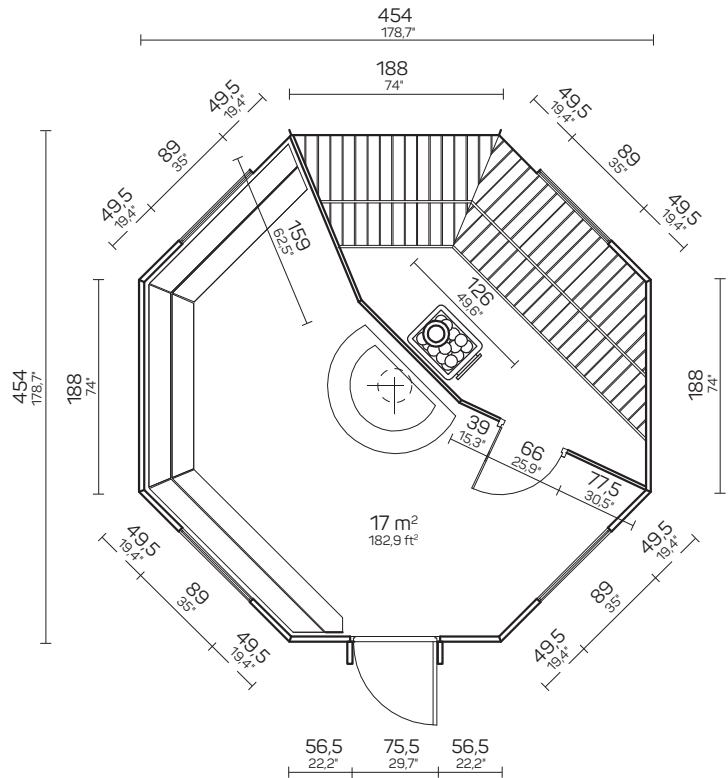
1127×454 cm 443.7×178.7"	1118×445 cm 440.1×175.1"	44 mm 1 3/4"	150 cm 59"	310 cm 122"	38 m² 409 ft²	30 cm 11.8"	84 m³ 2966.4 ft³	38° 38°
18+28 mm 0.7+1.1"	800×1700 mm 31.4×66.9"	890×630 mm 35×24.8"	890×630 mm 35×24.8"				320×120×260 cm 2x 125.9×47.2×102.3" 2x	1300 kg 2866 lb

Slatted floor elements, full floor in sauna

AXEL

Art 117 001

Double Glazed
ISO-Verglasung
Lämpölasit
Isolerglas

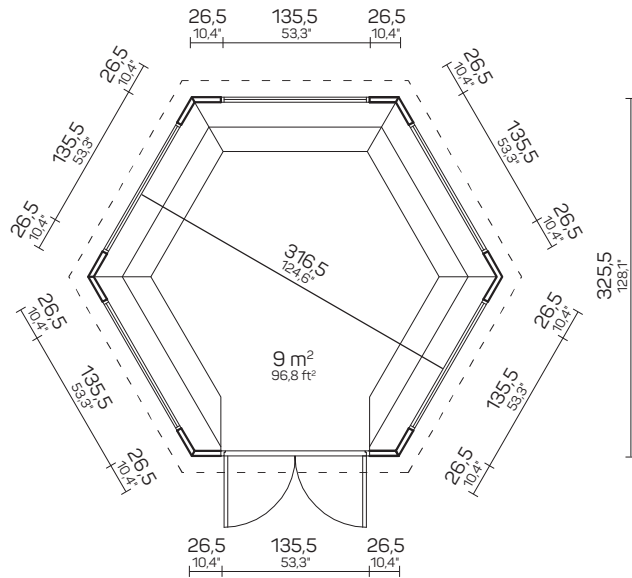
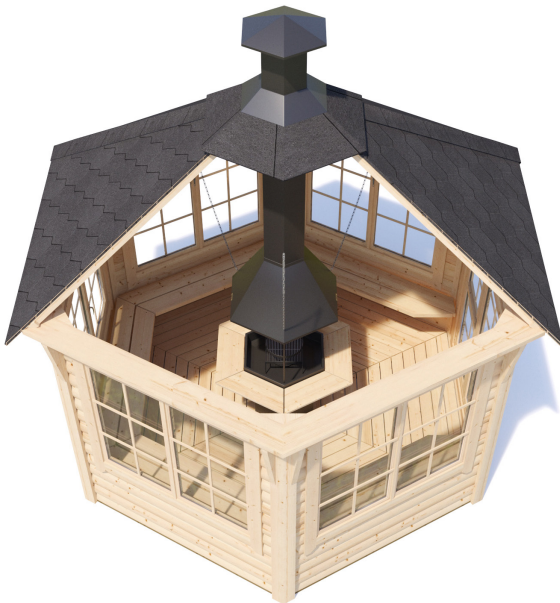


454×491,5 cm	445×482,5 cm	44 mm	150 cm	330 cm	17 m ²	30 cm	39 m ³	38°
178,7×193,5"	175,1×189,9"	1 3/4"	59"	129,9"	182,9 ft ²	11,8"	1377,2 ft ³	38°
18+28 mm	800×1700 mm	890×630 mm	890×630 mm					320×120×250 cm 2x
0,7+1,1"	31,4×66,9"	35×24,8"	35×24,8"					1200 kg
Full floor								2645 lb

IRIS

Art 116 005

Double Glazed
ISO-Verglasung
Lämpölasit
Isolerlas

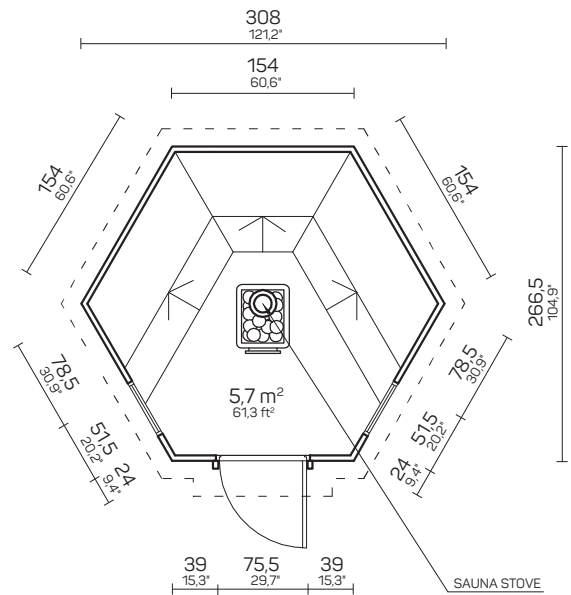


325,5×376 cm 128,1×148"	316,5×367 cm 124,6×144,4"	44 mm 1 3/4"	200 cm 78,7"	320 cm 125,9"	9 m ² 96,8 ft ²	35 cm 13,7"	27 m ³ 953,4 ft ³	38°
18+28 mm 0,7+1,1" Slatted floor elements	1340×1700 mm 52,7×66,9"	1170×1340 mm 46×52,7"	1170×1340 mm 46×52,7"	240×120×260 cm 94,4×47,2×102,3"	1200 kg 2645 lb			

HANNA

Art 117 002

Double Glazed
ISO-Verglasung
Lämpölasit
Isoleriglas

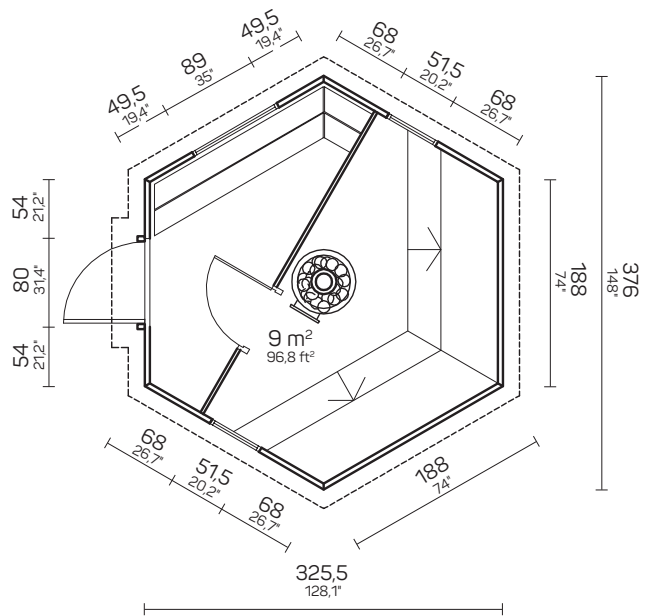


266,5×308 cm 104,9×121,2"	257,5×299 cm 101,3×117,7"	44 mm 1 3/4"	150 cm 59"	265 cm 104,3"	6 m ² 64,5 ft ²	28 cm 11"	13 m ³ 459 ft ³	45°	
18+18 mm 0,7+0,7" Full floor	800×1500 mm 314×59"	570×500 mm 22,4×19,6"				240×140×260 cm 94,4×55,1×102,3"	1300 kg 2866 lb		

KRIS

Art 117 003

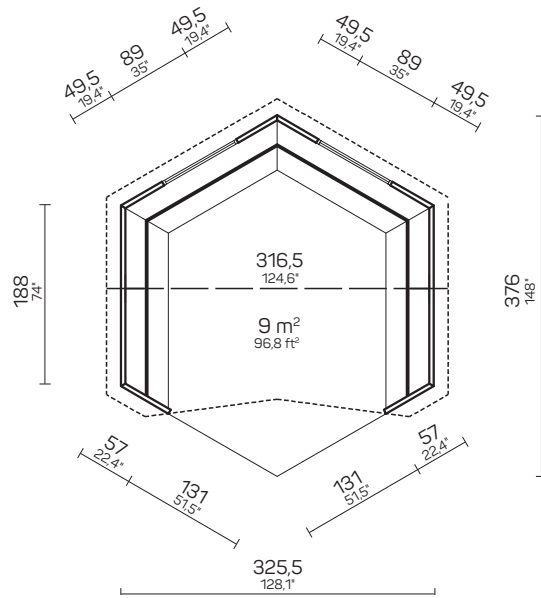
Double Glazed
ISO-Verglasung
Lämpölasit
Isolerglas



325,5×376 cm 128,1×148"	316,5×367 cm 124,6×144,4"	44 mm 13/4"	150 cm 59"	310 cm 122"	9 m ² 96,8 ft ²	30 cm 11,8"	20 m ³ 706,2 ft ³	45° 45°
18+18 mm 0,7+0,7" Full floor	800×1500 mm 31,4×59"	890×500 mm 35×19,6"	570×500 mm 22,4×19,6"				240×150×260 cm 94,4×59×102,3"	1500 kg 3306 lb

ELSA

Art 115 008



325,5×376 cm 128,1×148"	316,5×367 cm 124,6×144,4"	44 mm 1 3/4"	135 cm 53,1"	310 cm 122"	9 m ² 96,8 ft ²	28 cm 11"	18 m ³ 635,6ft ³	45° 45°
18+28 mm 0,7+1,1" Slatted floor elements	890×500 mm 35×19,6"	570×500 mm 22,4×19,6"				240×110×260 cm 94,4×43,3×102,3" 900 kg 1984 lb		

